

# PICCOLO and EURO

## GAS BURNERS

15-240 kW

**Flexible turndown range**  
**High combustion efficiency**  
**Reliable construction**  
**Easy and simple to maintenance**  
**Silent operation**

Piccolo and Euro gas burners



**GB-GANZ**

**Tüzeléstechnikai Kft.**  
Hungary

H-1103 Budapest, Szlávy u. 22-30. Tel.: (+36-1) 260-2727 F: (+36-1) 260-0033

Internet: [www.gb-ganz.hu](http://www.gb-ganz.hu) E-mail: [gbganz@gb-ganz.hu](mailto:gbganz@gb-ganz.hu)



## General information:

Having developed the PICCOLO and EURO type burner series, we should like to offer economic, efficient and modern firing devices for the users. To fulfill the continuously rising requirements, burners have low dimensions, shatter-proof plastic cover, and excellent noise-insulation. The manufactured components of the burners are made from reliable materials. Designing, easy maintenance, assemblage, and adjusting were taken into consideration. The burner house is fixed by one piece screw only. Operation is silent, due to the conscientious design of the combustion-air inlet. The air damper is closed at stand-by position. PICCOLO types are ON/OFF, EURO types could be ON/OFF or HIGH/LOW output controlled. Burners are suitable to combustion natural gas or LPG. The simple construction makes quick fitting and set-up possible, the use of the excellent-quality safety-, and control devices results in low maintenance cost. Combustion is perfect, due to the fine-adjusting of the air-retention head. Air volume is adjustable by a parabolic-profile excenter. By the moveable burner-boiler flange, the burner can be taken out without dismantling the flange from the boiler. Such solution makes the burner-fitting on the boiler very easy. Commissioning relevant legislations and standards have to be observed.

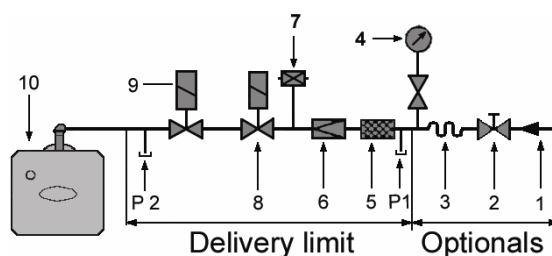
The burners can be mounted on the following domestic and industrial heating appliances:

- boilers
- hor-air blowers

## Advantages:

- high combustion efficiency
- flexible turndown range
- stable flame
- simple and fast electric connection with multi-poled connectors
- simple assemblage, quick maintenance
- silent operation
- environment-safe, low pollutant emission
- reliable construction
- long-life operation

## Gas train configuration:



1. Gas inlet connection
2. Manual globe-cock
3. Antivibrating gas pipe-line connection
4. Gas pressure gauge with manual shut-off valve
5. Gas filter
6. Gas pressure governor
7. Minimum gas pressure switch
8. Safety solenoid gas valve
9. Main solenoid gas valve \*
10. Gas burner
- P1 Inlet gas pressure measuring pin
- P2 Gas nozzle pressure measuring pin

\* EURO-15-G and EURO-25-G type burners' gas multiblocks could be equipped one-stage or two-stage Main solenoid valve

**GB-GANZ**

**Tüzeléstechnikai Kft.**

Hungary

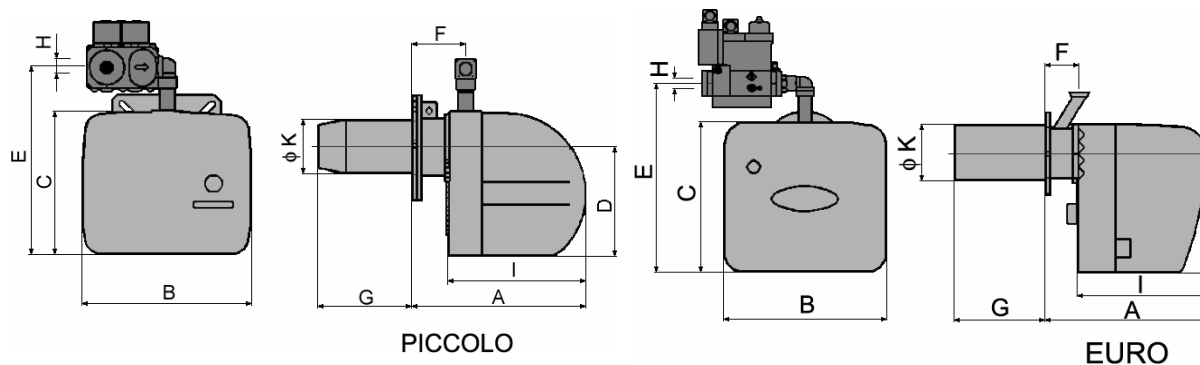
H-1103 Budapest, Szlávy u. 22-30. Tel.: (+36-1) 260-2727 F: (+36-1) 260-0033

Internet: [www.gb-ganz.hu](http://www.gb-ganz.hu) E-mail: [gbganz@gb-ganz.hu](mailto:gbganz@gb-ganz.hu)

## Main technical data:

Type	PICCOLO-G	Euro-6-G	Euro-10-G	Euro-15-G	Euro-25-G
Output range	15-40 kW	35-70 kW	40-90 kW	80-160 kW	120-240 kW
Fuel	Natural gas or LPG				
Turndown ratio	1:2				
Flame detector	Ionization system, or UV for special request				
Electrical connection	230 V, 50 Hz+PE				
Electrical protection	IP 20				
Electric power consumption	160 W	190 W	190 W	280 W	320 W
Inlet gas pressure range	20-45 mbar	20-60 mbar	20-100 mbar	20-200 mbar	20-200 mbar
Gas train connecting inner diameter	DN ½" BSP	DN ½" BSP	DN ½" BSP	DN ¾" BSP	DN 1" BSP

## Outline drawing and connecting dimensions:



### Dimensions (mm):

Type	Piccolo-G	Euro-6-G	Euro-10-G	Euro-15-G	Euro-25-G
A	258-353	300	300	350	350
B	250	301	301	385	385
C	216	281	281	370	370
D	163	225	225	295	295
E	285	357	357	470	470
F	78-173	83	83	100	100
G*	45-140	130	150	200	200
H	DN ½" BSP	DN ½" BSP	DN ½" BSP	DN ¾" BSP	DN 1" BSP
I	210	245	245	270	270
φ K	80	90	104	123	133
φ LW	90	100	115	135	145
φ M	150	150	150	215	215
N	M 8	M 8	M 8	M 10	M 10

\* For special request extended air-tube,  $L_{max} = 500$  mm

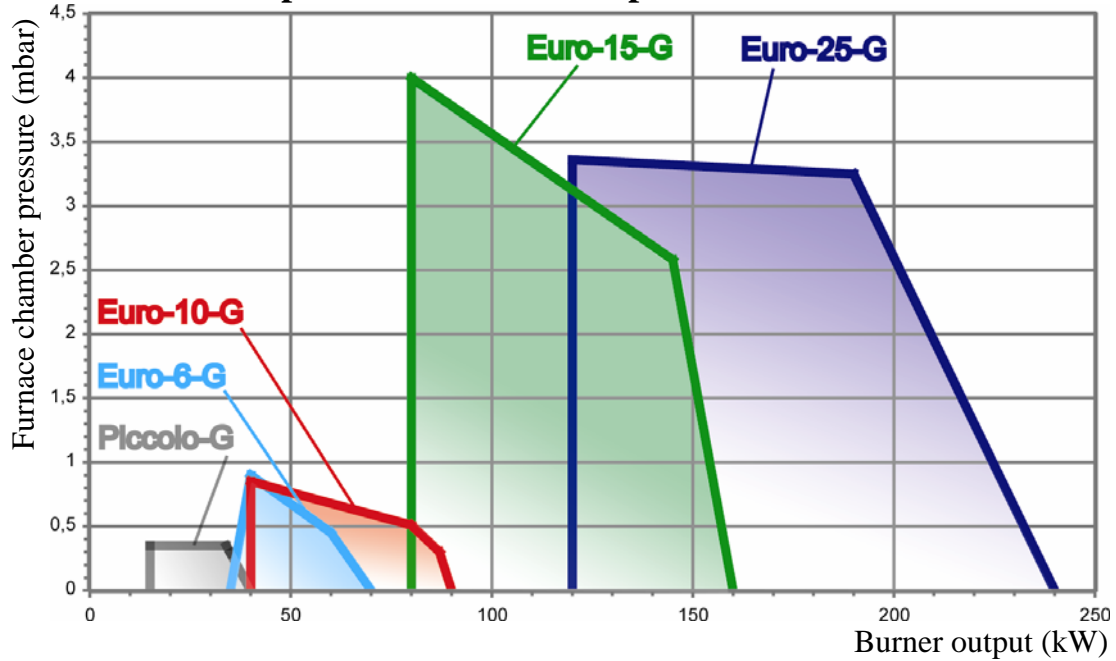
# GB-GANZ

Tüzeléstechnikai Kft.  
Hungary

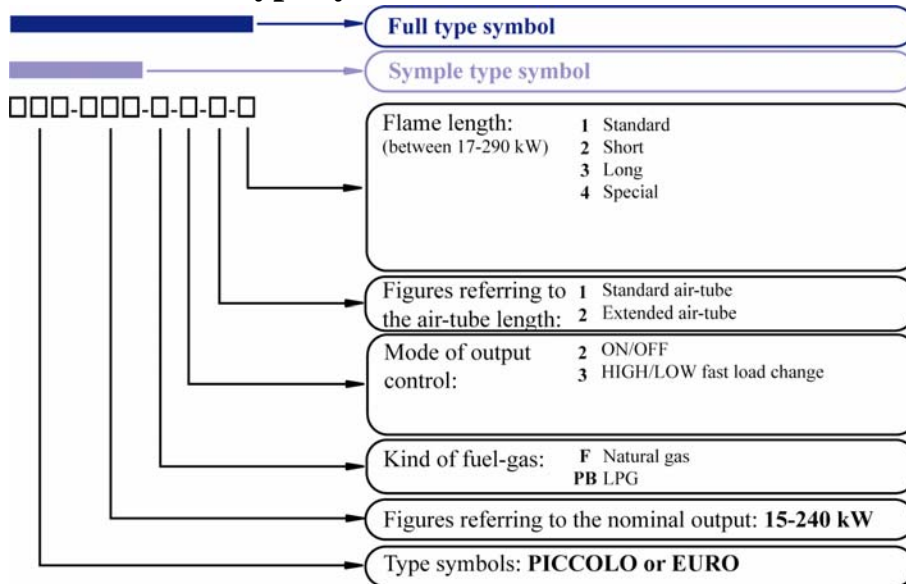
H-1103 Budapest, Szilávy u. 22-30. Tel.: (+36-1) 260-2727 F: (+36-1) 260-0033

Internet: [www.gb-ganz.hu](http://www.gb-ganz.hu) E-mail: [gbganz@gb-ganz.hu](mailto:gbganz@gb-ganz.hu)

## Furnace chamber pressure – burner output characteristics:



## Gas burner type symbols:



## Regional Sales Office:

Transdanubian Sales Office:

H-8300 Tapolca Juhász Gy. u. 2/1.

Tel/F.:+ 36-87-510 670

Your regional dealer:



# GB-GANZ

Tüzeléstechnikai Kft.

Hungary

H-1103 Budapest, Szlávy u. 22-30. Tel.: (+36-1) 260-2727 F: (+36-1) 260-0033

Internet: [www.gb-ganz.hu](http://www.gb-ganz.hu) E-mail: [gbganz@gb-ganz.hu](mailto:gbganz@gb-ganz.hu)