

# ANYO-60/80-...

FUEL-OIL BURNERS

240-800 kW

**Flexible turndown range**  
**High combustion efficiency**  
**Reliable construction**  
**Easy and simple to maintenance**  
**Environmentally friendly**

ANYO-60/80-... fuel-oil burners



**General information:**

**GB-GANZ**

**Tüzeléstechnikai Kft.**  
HUNGARY

H-1103 Budapest, Szilávy u. 22-30. Tel.: +36-1-260-2727 F: +36-1- 260-0033

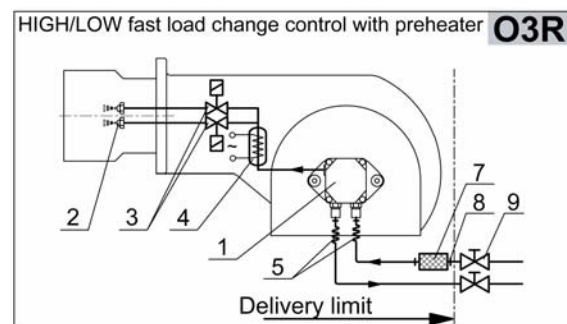
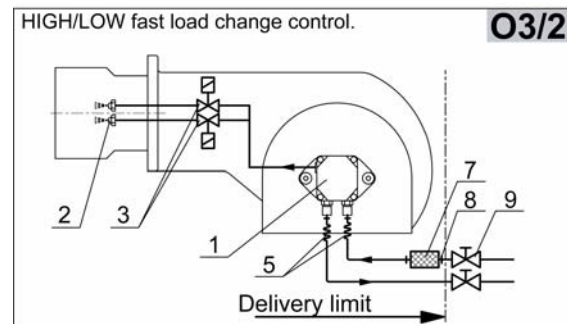
Internet: [www.gb-ganz.hu](http://www.gb-ganz.hu) E-mail: [gbganz@gb-ganz.hu](mailto:gbganz@gb-ganz.hu)

Having developed the ANYO type oil burner series we should like to provide simple, reliable, economic and modern firing devices for the users. The burner is monoblock system, fan assisted, pressure pulverization type, with fully automatically operation, for combustion of light-, and semi-heavy fuel-oil. Its simple construction makes quick fitting and set-up possible, the use of excellent-quality safety-, and control devices results in low maintenance cost. Mode of output control: HIGH/LOW with fast load change. During operation the primary burner control unit is continuously detecting the flame and the combustion-air pressure. At combustion of semi-heavy fuel-oil the fuel is preheated. Depending on the fuel-oil viscosity, the temperatures of the burner starting and the pulverization are adjustable by thermostats incorporated. In manufacturing we highly take the users' requirements into consideration, so that, beside the mass-produced burners there is a possibility of delivering also special versions. Standard or extended air-tube equipped burners are well adaptable to any boiler furnace chamber. Ordering burner, kind of fuel-oil has to be taken into consideration. Commissioning relevant legislations and standards have to be observed. The burners can be mounted on industrial, agricultural and communal heating appliances, in case of the burner's characteristic suits to the furnace chamber pressure and the requested output.

### Advantages:

- high combustion efficiency
- flexible turndown range
- stable flame
- simple and fast electric connection by multipoled connectors
- simple assemblage, quick maintenance
- wide range of optional accessories
- environment-safe, low-pollutant emission
- reliable construction, long-life operation

### Fuel-oil supply system schemes:



### Attachments:

- 1 Fuel-oil pump
- 2 Jet
- 3 Solenoid valve
- 4 Fuel-oil preheater
- 5 Flexible hosing
- 6 Tee-piece
- 7 Oil-filter
- 8 Fitting

### Optionals for special request:

- 9 Manual globe-cock

**GB-GANZ**

**Tüzeléstechnikai Kft.**  
HUNGARY

H-1103 Budapest, Szlávy u. 22-30. Tel.: +36-1-260-2727 F: +36-1-260-0033

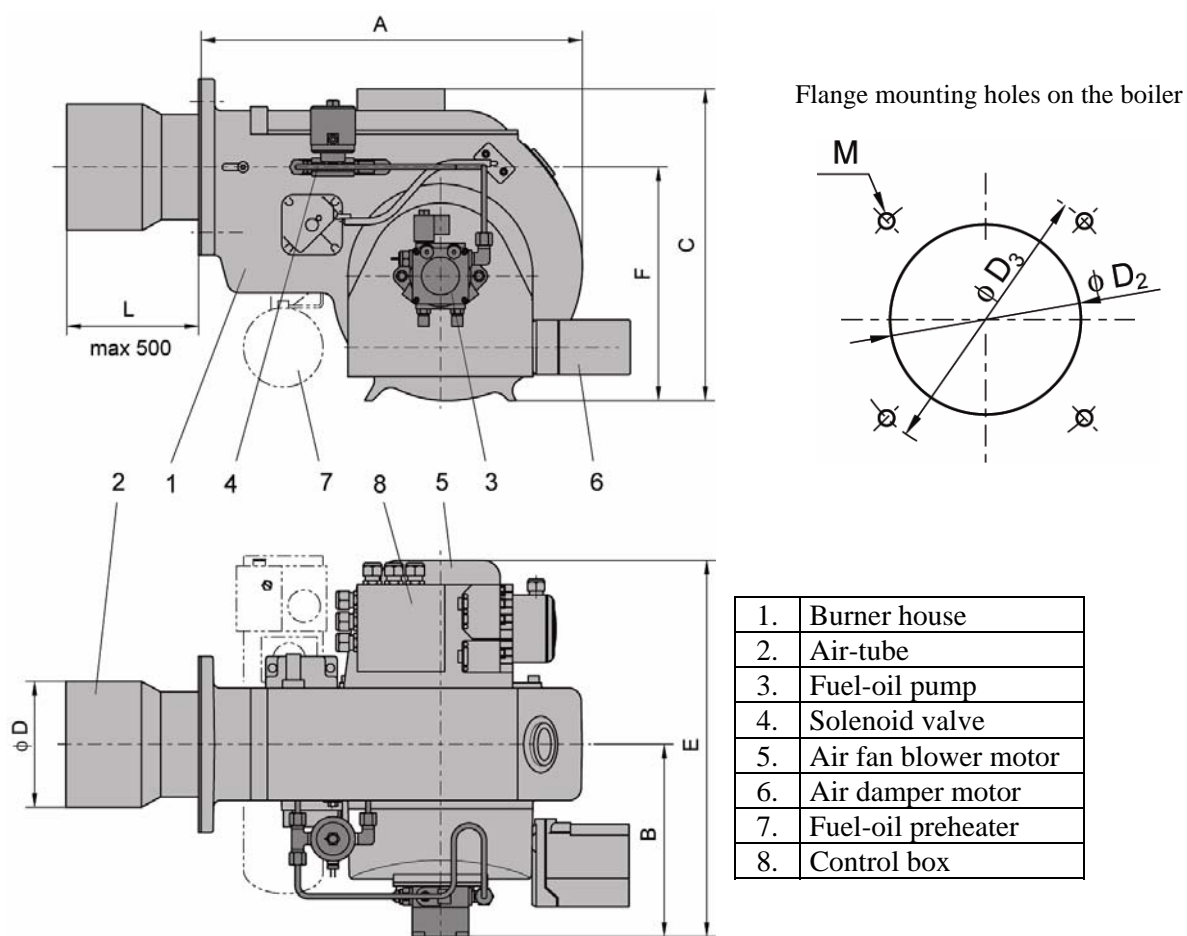
Internet: [www.gb-ganz.hu](http://www.gb-ganz.hu) E-mail: [gbganz@gb-ganz.hu](mailto:gbganz@gb-ganz.hu)

## Main technical data:

Type	ANYO-60	ANYO-60/R	ANYO-80	ANYO-80/R
Output range	240-600 kW		350-800 kW	
Fuel	Light fuel-oil	SHFO*	Light fuel-oil	SHFO*
Mode of output control	HIGH/LOW with fast load change			
Turndown ratio	1:2			
Primary burner control	Landis LAL-2			
Flame detector	Landis QRB 3			
Ignition	Automatically, by high voltage spark			
Electrical connection	3x400/230V, 50Hz+PE			
El power consumption	1,4 kW	5,4 kW	1,8 kW	5,8 kW
Electrical protection	IP 40			
Noise level	70-73 dB			
Weight	56 kg		58 kg	

\* SHFO: semi-heavy fuel-oil, viscosity at 20 C° max 60 cSt ( 8 E° )

## Outline drawing and connecting dimensions:



Type	Dimensions									
	A	B	C	$\phi D$	$\phi D_2$	$\phi D_3$	E	F	L*	M
ANYO-60	625	310	570	190	205	262	740	340	160	M 12
ANYO-80	625	310	570	190	205	262	740	340	160	M 12

L\* standard length, extended air-tube by request

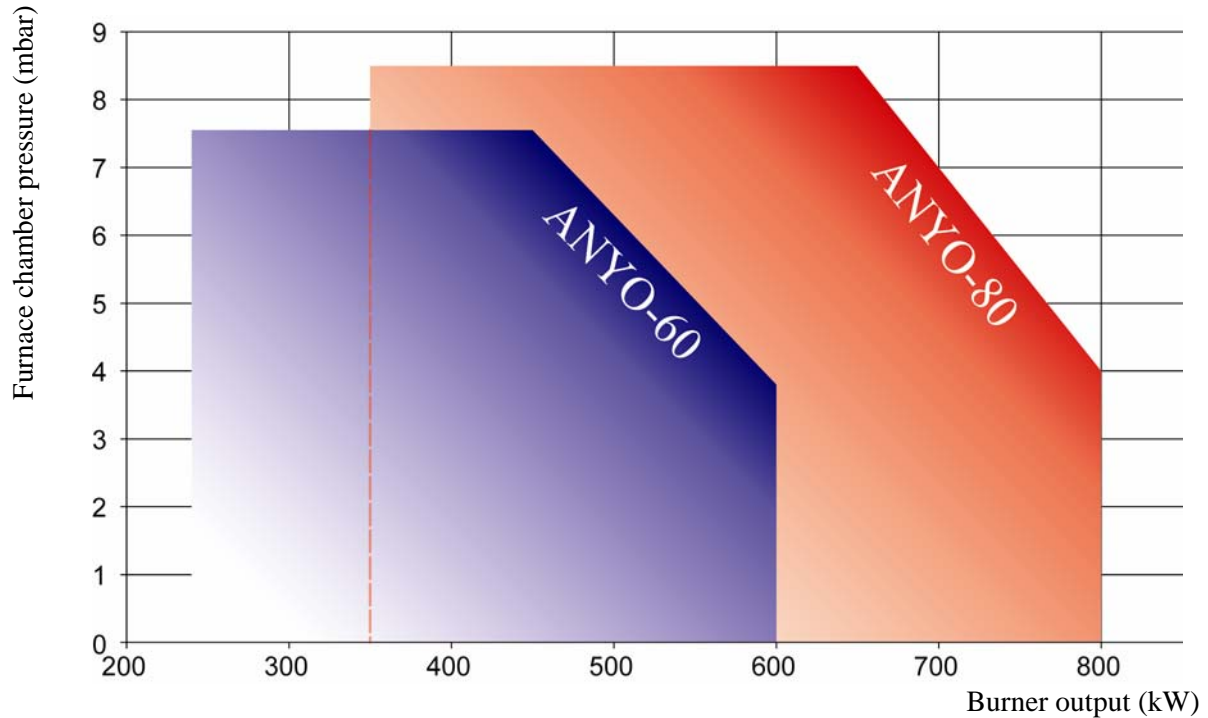
# GB-GANZ

Tüzeléstechnikai Kft.  
HUNGARY

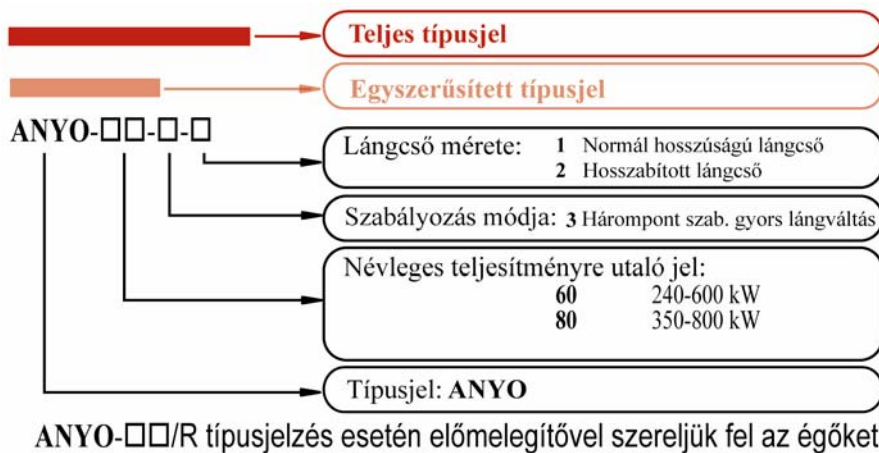
H-1103 Budapest, Szilávy u. 22-30. Tel.: +36-1-260-2727 F: +36-1-260-0033

Internet: www.gb-ganz.hu E-mail: gb-ganz@gb-ganz.hu

## Furnace chamber pressure – burner output characteristics:



## Oil burner type symbols:



## Regional Sales Office:

Transdanubian Sales Office: H-8300 Tapolca Juhász Gy. u. 2/1, Hungary Tel/F.:+36-87-510-670  
Your regional dealer:



**GB-GANZ**

Tüzeléstechnikai Kft.  
HUNGARY

H-1103 Budapest, Szilávy u. 22-30. Tel.: +36-1-260-2727 F: +36-1-260-0033

Internet: www.gb-ganz.hu E-mail: gb-ganz@gb-ganz.hu