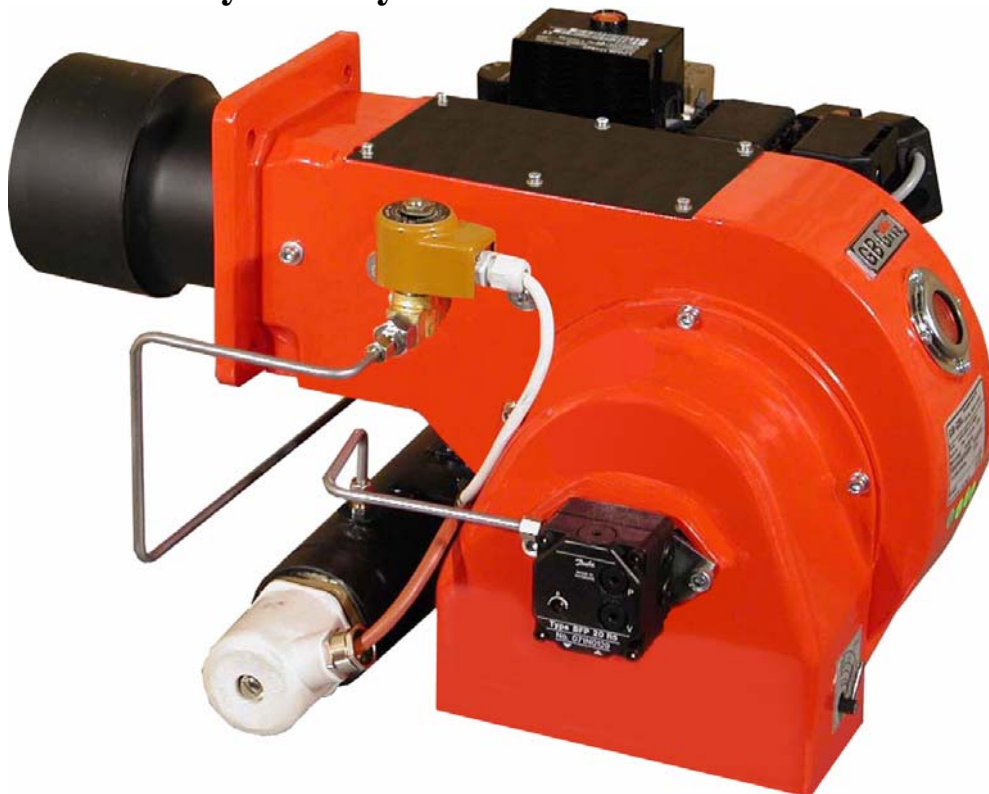


# ANYO-12/25-...

FUEL-OIL BURNERS

80-290 kW

**Flexible turndown range**  
**High combustion efficiency**  
**Reliable construction**  
**Easy and simple to maintenance**  
**Environmentally friendly**



**GB-GANZ**

**Tüzeléstechnikai Kft.**  
HUNGARY

H-1103 Budapest, Szilávy u. 22-30. Tel.: +36-1-260-2727 F: +36-1- 260-0033

Internet: [www.gb-ganz.hu](http://www.gb-ganz.hu) E-mail: [gbganz@gb-ganz.hu](mailto:gbganz@gb-ganz.hu)

ANYO-12/25-... fuel-oil burners

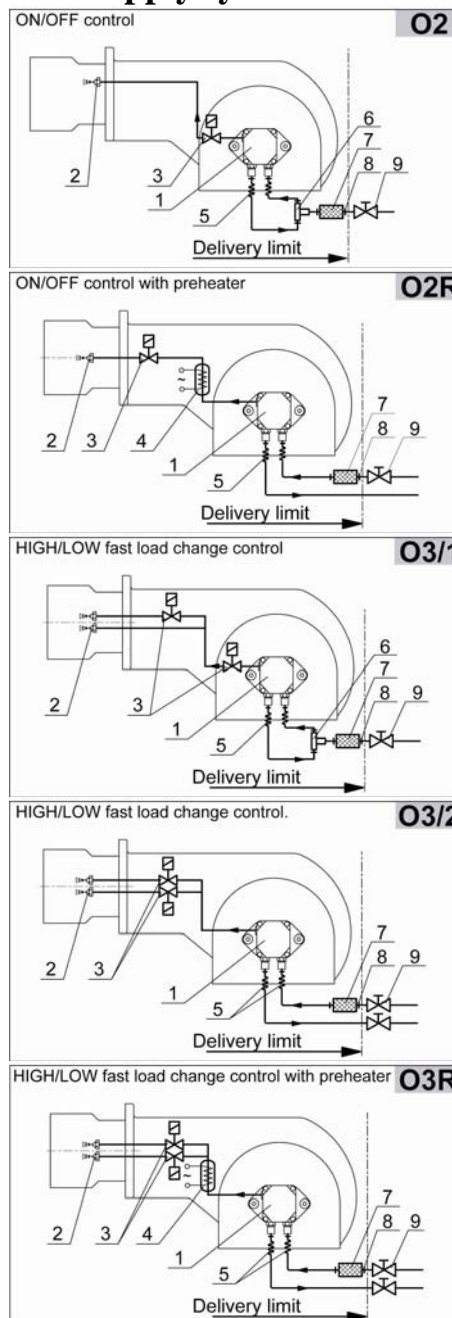
## General information:

Having developed the ANYO type oil burner series we should like to provide simple, reliable, economic, and modern firing devices for the users. These burners are monoblock system, fan assisted, pressure pulverization type, with fully automatically operation, for combustion of light fuel-oil and semi-heavy fuel-oil. The simple construction makes quick fitting and set-up possible, the use of excellent-quality safety-, and control devices results in low maintenance cost. The mode of output control can be: ON/OFF at ANYO-12 type and ON/OFF or HIGH/LOW with fast load change at ANYO-25 type. At combustion of semi-heavy fuel-oil, the fuel is preheated. The fuel-oil temperature is controlled by thermostat incorporated, adjusted at fix value at ANYO-12 types, and adjustable over a certain range at ANYO-25 types. In manufacturing we highly take the users' requirements into consideration, so that beside the mass-produced burners there is a possibility of delivering also special versions. Standard or extended air-tube equipped burners are well adaptable to any boiler furnace chamber. Ordering burner, the kind of fuel-oil has to be taken into consideration. Commissioning relevant legislations and standards have to be observed. The burners can be mounted on industrial, agricultural and communal heating appliances, in case of the burner's characteristic suits to the furnace chamber pressure and the requested output.

### Advantages:

- high combustion efficiency
- flexible turndown range
- stable flame
- simple and fast electric connection with multi-poled connectors
- simple assemblage, quick maintenance
- wide range of optional accessories
- environment-safe low-pollutant emission
- reliable construction
- long-life operation

## Fuel-oil supply system schemes:



### Attachments:

- 1 Fuel-oil pump
- 2 Jet
- 3 Solenoid valve
- 4 Fuel-oil preheater
- 5 Flexible hosing
- 6 Tee-piece
- 7 Oil-filter
- 8 Fitting

### Optionals for special request

- 9 Manual globe-cock

**GB-GANZ**

**Tüzeléstechnikai Kft.**  
HUNGARY

H-1103 Budapest, Szlávy u. 22-30. Tel.: +36-1-260-2727 F: +36-1-260-0033

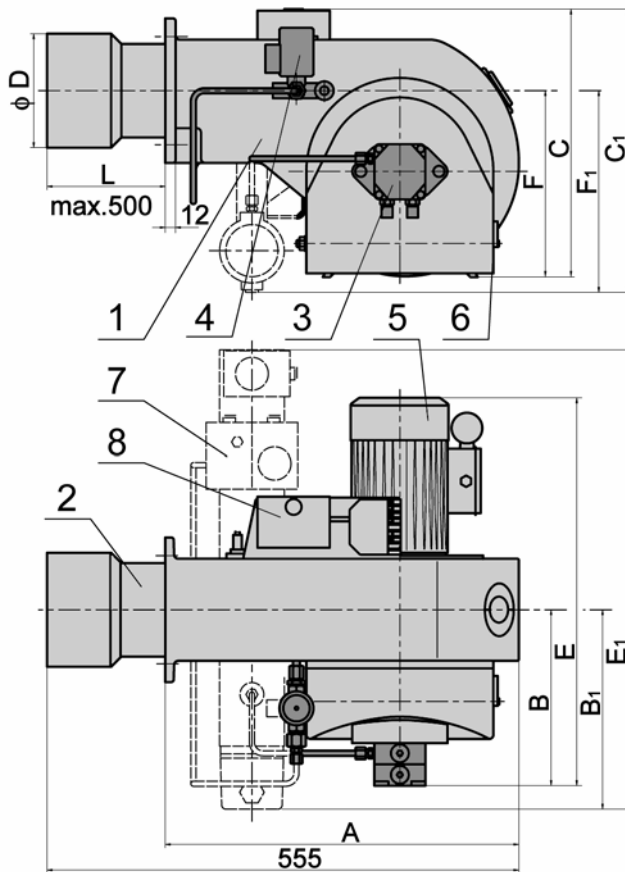
Internet: [www.gb-ganz.hu](http://www.gb-ganz.hu) E-mail: [gbganz@gb-ganz.hu](mailto:gbganz@gb-ganz.hu)

### Main technical data:

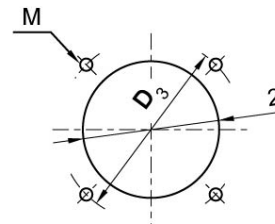
| Type                       | ANYO-12                              | ANYO-12/R            | ANYO-25                             | ANYO-25/R            |
|----------------------------|--------------------------------------|----------------------|-------------------------------------|----------------------|
| Output range               | 80-140 kW                            |                      | 120-290 kW                          |                      |
| Fuel                       | Light fuel-oil                       | Semi-heavy fuel-oil* | Light fuel-oil                      | Semi-heavy fuel-oil* |
| Mode of output control     | ON/OFF                               |                      | ON/OFF or HIGH/LOW fast load change |                      |
| Turndown ratio             | -                                    |                      | 1:2                                 |                      |
| Primary burner control     | Landis LOA-24 or LOA-26              |                      |                                     |                      |
| Flame detector             | Landis QRB 1                         |                      |                                     |                      |
| Ignition                   | Automatically, by high voltage spark |                      |                                     |                      |
| Electrical connection      | 230V, 50Hz+PE                        |                      |                                     |                      |
| Electric power consumption | 300 W                                | 900 W                | 300 W                               | 1800 W               |
| Electrical protection      | IP 20                                |                      |                                     |                      |
| Noise level                | 62 dB                                |                      |                                     |                      |
| Weight                     | 24 kg                                | 28 kg                | 24 kg                               | 28 kg                |

\* Semi-heavy fuel-oil, viscosity at 20 C° 60 cSt ( 8 E° )

### Outline drawing and connecting dimensions:



Flange mounting holes on the boiler



1. Burner house
2. Air-tube
3. Fuel-oil pump
4. Solenoid valve
5. Air fan blower motor
6. Air damper
7. Fuel-oil preheater
8. Primary burner control unit

| Type    | Dimensions |     |                |     |                |          |            |            |     |                |     |                |     |         |
|---------|------------|-----|----------------|-----|----------------|----------|------------|------------|-----|----------------|-----|----------------|-----|---------|
|         | A          | B   | B <sub>1</sub> | C   | C <sub>1</sub> | $\phi D$ | $\phi D_2$ | $\phi D_3$ | E   | E <sub>1</sub> | F   | F <sub>1</sub> | L*  | M       |
| ANYO-12 | 420        | 210 | 199            | 330 | 329            | 110      | 125        | 180        | 455 | 358            | 220 | 226            | 120 | M<br>10 |
| ANYO-25 | 420        | 210 | 235            | 330 | 340            | 133      | 145        | 180        | 455 | 540            | 220 | 231            | 137 | M<br>10 |

L\* standard length, extended air-tube by request.

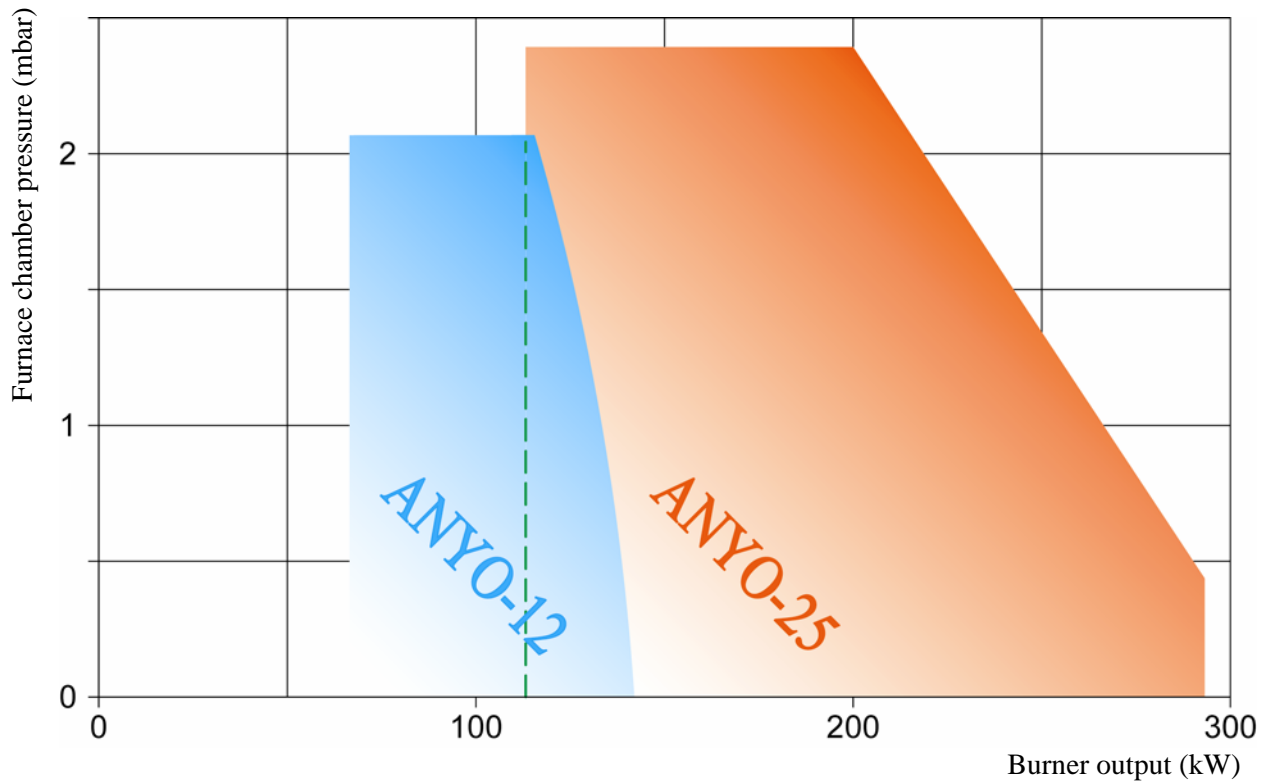
# GB-GANZ

Tüzeléstechnikai Kft.  
HUNGARY

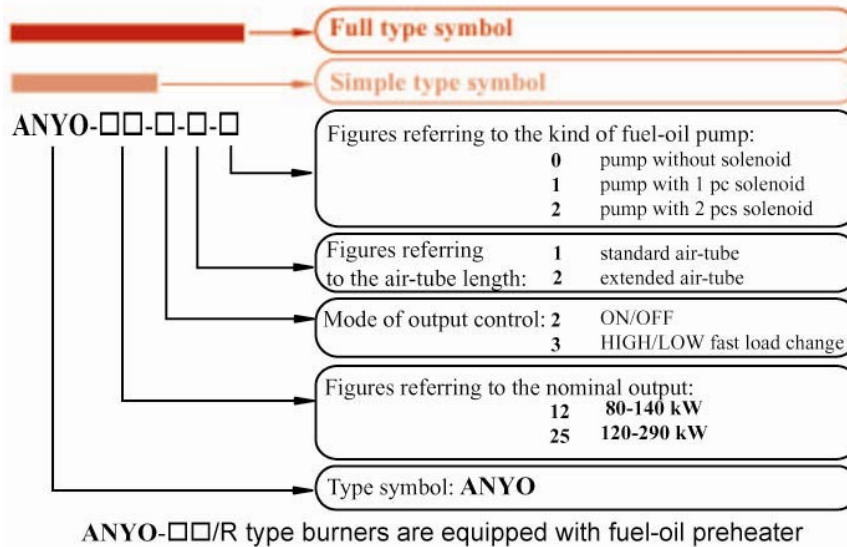
H-1103 Budapest, Szilávy u. 22-30. Tel.: +36-1-260-2727 F: +36-1-260-0033

Internet: [www.gb-ganz.hu](http://www.gb-ganz.hu) E-mail: [gbganz@gb-ganz.hu](mailto:gbganz@gb-ganz.hu)

## Furnace chamber pressure – burner output characteristics:



### Oil burner type symbols



### Regional Sales Office:

Transdanubian Sales Office: H-8300 Tapolca Juhász Gy. u. 2/1, Hungary  
 Your regional dealer:

Tel/F.:+36-87-510-670



**GB-GANZ**

Tüzeléstechnikai Kft.  
 HUNGARY

H-1103 Budapest, Szilávy u. 22-30. Tel.: +36-1-260-2727 F: +36-1-260-0033

Internet: [www.gb-ganz.hu](http://www.gb-ganz.hu) E-mail: [gbganz@gb-ganz.hu](mailto:gbganz@gb-ganz.hu)